

HEAT PRESS COUNTER CADDIE™

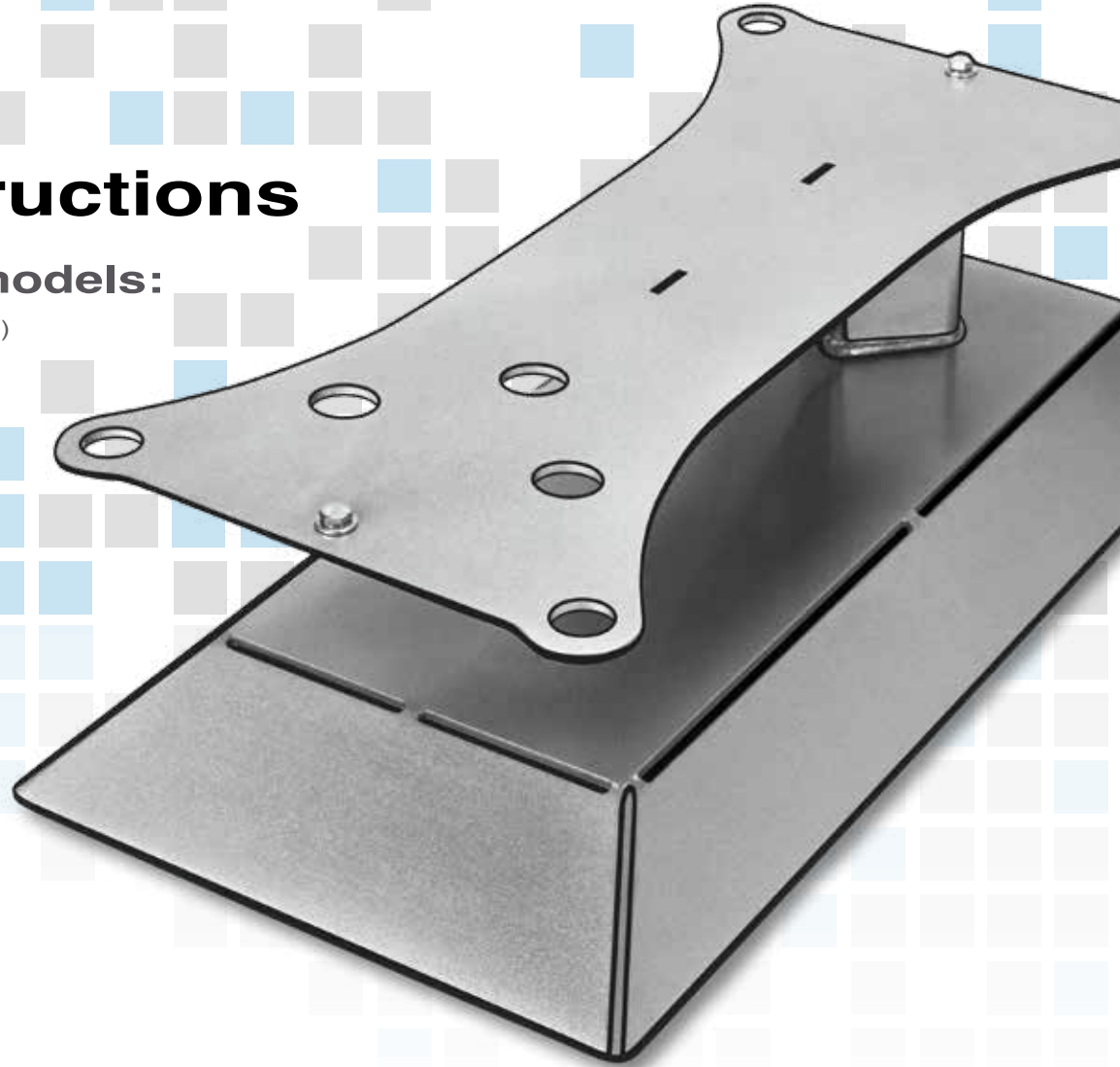
Installation Instructions

Available for heat press models:

- Hotronix® Auto Open Clam (11"x15", 16"x16", 16"x20")
- Hotronix® Hover Press™ (16"x20")
- The MAXX™ Press (11"x15", 15"x15", 16"x20")

See reverse for details.

Stahls' Heat Press Counter Caddie
with one or more patents and/or patents pending.



STAHL'S
Hotronix®
World Class Manufacturing & Technology

One Paisley Park . Carmichaels, PA 15320, U.S.A.

800 . 727 . 8520

Hotronix.com

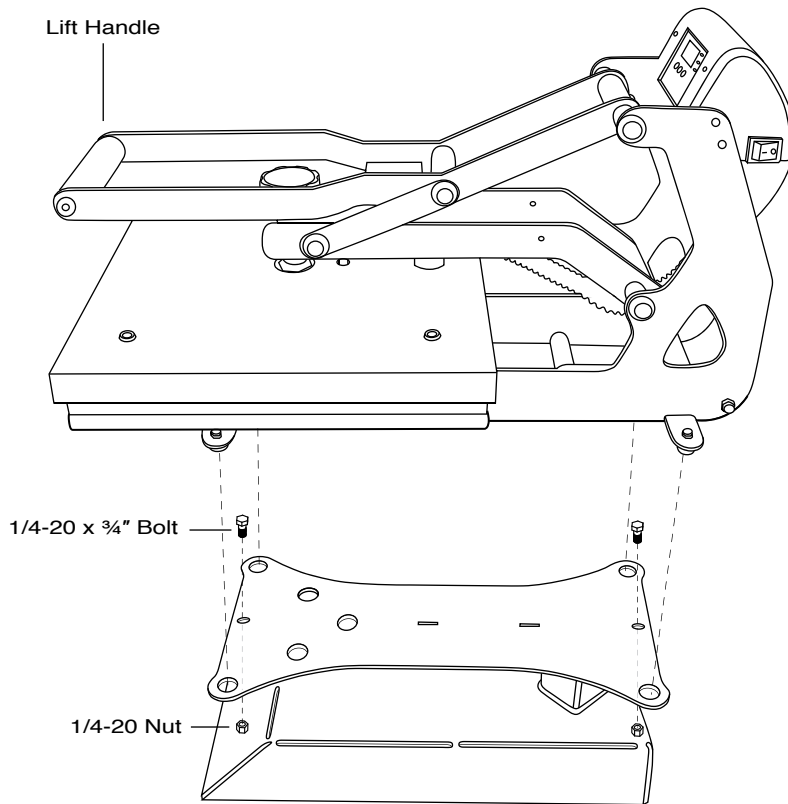
Tools Required: 7/16 socket wrench



Installation Instructions

For your safety, please read all instructions carefully.

- Two people are required to properly install the Heat Press Counter Caddie™. Use proper lifting techniques when placing your heat press on the stand.
- If press is in use, power off and allow to cool down completely before assembly.
- To avoid any potential tripping hazard, unplug the power cord from the heat press and from the outlet and set cord aside. (Never pull cord to disconnect, instead grasp from plug and pull to disconnect.)
- Before placing heat press on stand, press should be closed and in locked position. Using the lift handle, pull upper platen down completely and lock into position.



- Step 1** With two people, lift heat press from the front, and back end of the press and place on stand. Align legs of your heat press with four holes located on top of the Heat Press Counter Caddie.
- Step 2** Using your 7/16 socket wrench, connect the heat press with two 1/4-20 x 3/4" bolts and two nuts provided. Hold press securely until bolts have been tightened into place.
- Step 3** Plug electrical cord back into press. You're ready to heat print.